

AquaThermica Eco

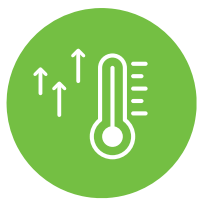
Air-to-water heat pump heater for domestic hot water

The AquaThermica Eco range includes models with volumes of 200 and 260 litres with and without a heat exchanger.



R513a

Greater energy efficiency and performance are guaranteed by the environmentally friendly refrigerant R513a.



Electric heating element for faster heating up and reaching of higher temperature of 75°C.



Automatic cycle **anti-legionella cycle** and **self-diagnostic system**.



Renewable Energy



Energy efficiency class A+



Up to 75% lower power consumption



Low CO₂ emissions



Electronic step motor for precisely balanced refrigerant cycle



Operating temperature range -10°C to +43°C



65°C DHW with the heat pump only

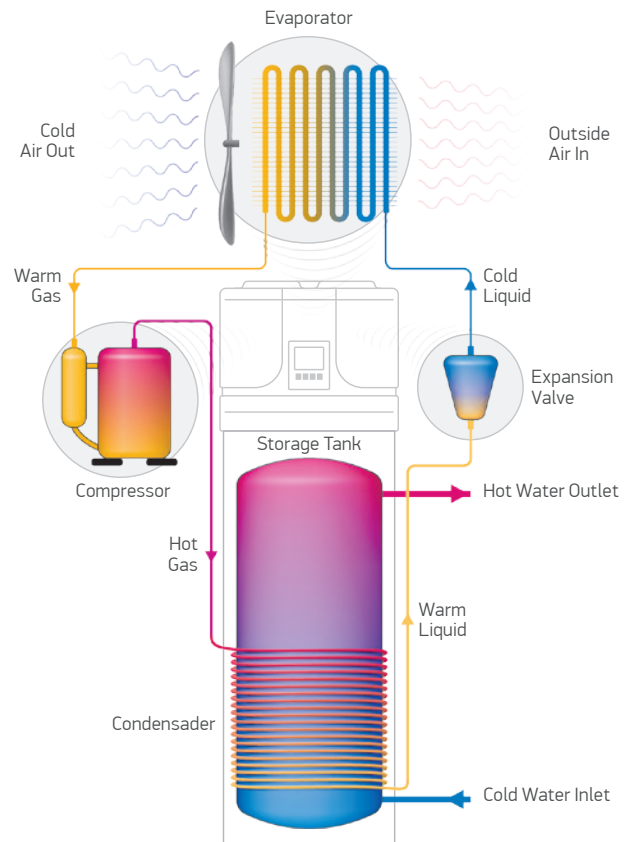


Connectivity to solar and PV panels

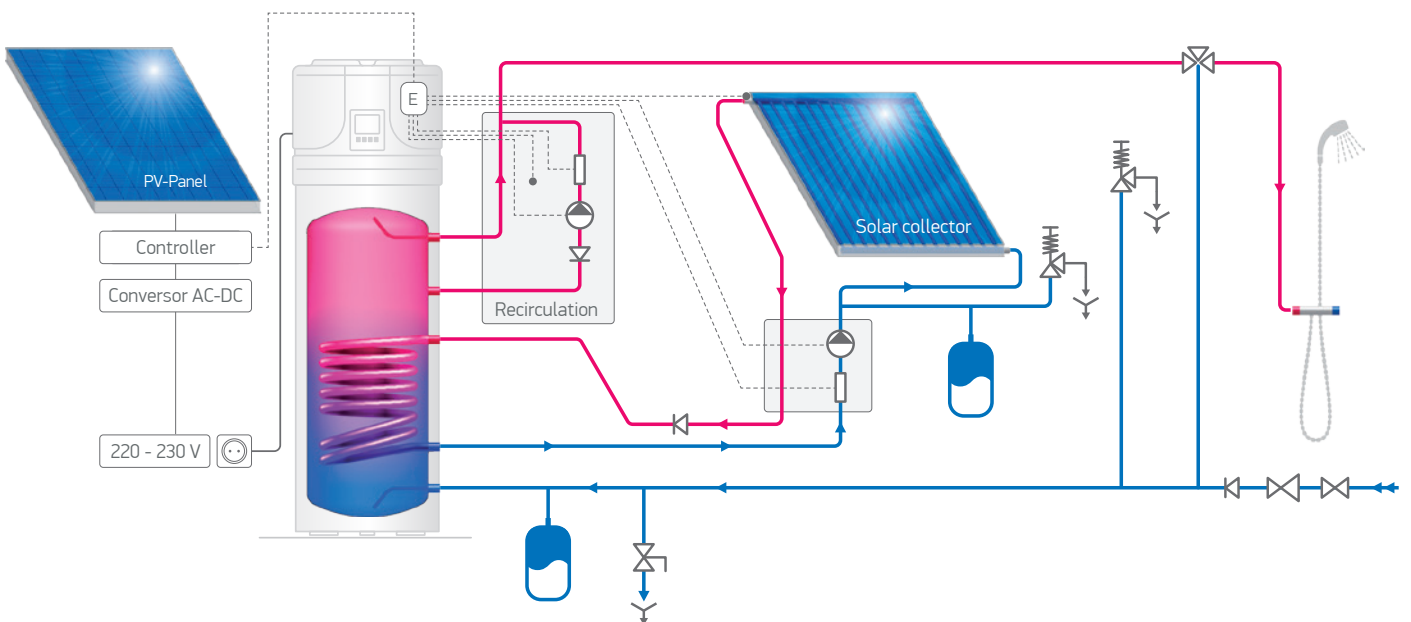


User-friendly LED display

OPERATING PRINCIPLE

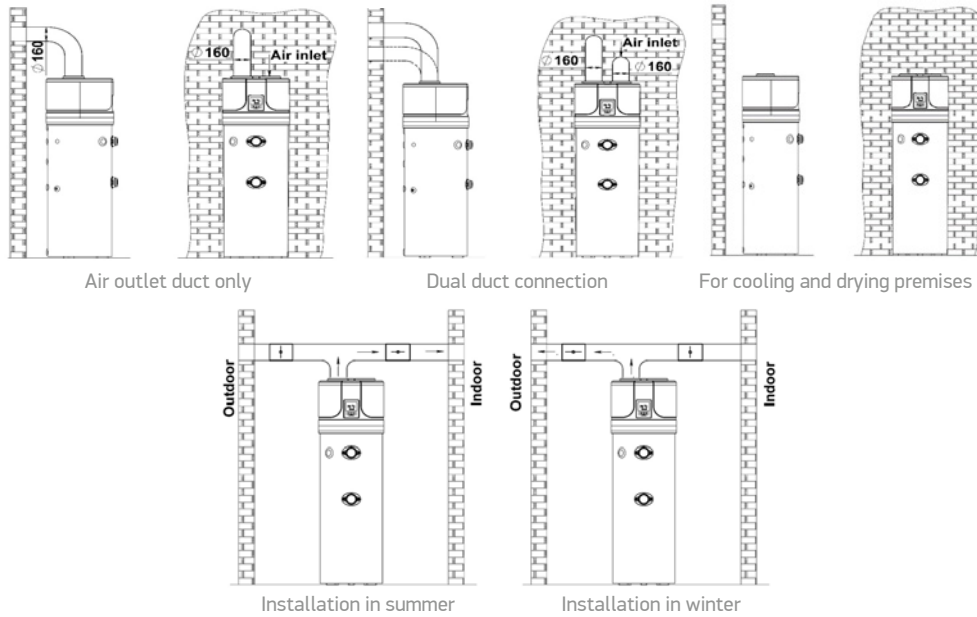


CONNECTIVITY TO SOLAR SYSTEM



INSTALLATION OPTIONS

Options for room cooling and dehumidification



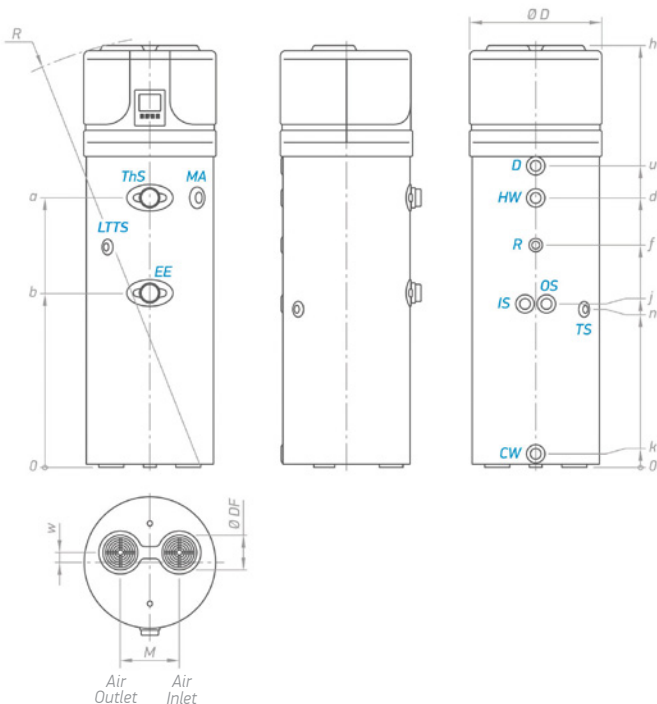
TECHNICAL DATA

Modelo		AquaThermica Eco 200 with heat exchanger	AquaThermica Eco 200	AquaThermica Eco 260 with heat exchanger	AquaThermica Eco 260	
Art. Number		No	305765	305764	305763	
Performance						
Rated heat output	Condition EN 16147:2017 - A20/W55	kW	1,75	1,75	1,63	1,63
	Condition EN 16147:2017 - A14/W55		1,53	1,53	1,43	1,43
	Condition EN 16147:2017 - A7/W55		1,27	1,27	1,23	1,23
Hot water temperature set point		°C	55	55	55	55
Heating up time; th	Condition EN 16147:2017 - A20/W55	h:m	5:41	5:41	7:23	7:23
	Condition EN 16147:2017 - A14/W55		6:33	6:33	8:49	8:49
	Condition EN 16147:2017 - A7/W55		7:45	7:45	10:12	10:12
Heating up time in BOOST mode (A7/W10-55)		h:m	3:47	3:47	4:21	4:21
Degree of protection			IPX4			
COP _{DHW}	Condition EN 16147:2017 - A20/W55	kW	3,9	3,9	3,9	3,9
	Condition EN 16147:2017 - A14/W55		3,5	3,5	3,6	3,6
	Condition EN 16147:2017 - A7/W55		3	3	3,2	3,2
	Condition EN 16147:2017 - A2/W55		2,5	2,5	2,8	2,8
Energy efficiency; ErP class	Condition EN 16147:2017 - A20/W55		A++	A++	A++	A++
	Condition EN 16147:2017 - A14/W55		A+	A+	A+	A+
	Condition EN 16147:2017 - A7/W55		A+	A+	A+	A+
	Condition EN 16147:2017 - A2/W55		A	A	A	A
Annual power consumption; AEC	Condition EN 16147:2017 - A20/W55		622	622	1042	1042
	Condition EN 16147:2017 - A14/W55		702	702	1136	1136
	Condition EN 16147:2017 - A7/W55		822	822	1250	1250
Sound power Lw (A) indoor		dB (A)	56			
Load profile			L	L	XL	XL
Electrical data						
Power supply (frecuencia)		V (Hz)	1/N/220-240 (50)			
Degree of protection level						
HP maximum power consumption		kW	0.663+1,500 (e-heater) = 2,163			
Electric heating element power		kW	1.5			
Maximum current of appliance		A	3.1+6.5 (e-heater) = 9.6			
Max. starting current of heat pump		A	13.5			
Required overload protections		A	16A T fuse/ 16A automatic switch, characteristic C (to be expected during installation on power supply)			
Internal protection			Safety thermostat with manual reset			
Operating conditions						
Min.+ max. temperature heat pump air intake (90% R.H.)		°C	-10 ÷ 43			
Min. + max. temperature installation site		°C	4 ÷ 40			
Working temperature						
Max. settable water temperature (with E-heater); EN 16147:2017		°C	65 [75]			

DIMENSIONS AND TECHNICAL DATA

Model		AquaThermica Eco 200 with heat exchanger	AquaThermica Eco 200	AquaThermica Eco 260 with heat exchanger	AquaThermica Eco 260	
Art. Number		No	305765	305764	305763	305762
Design characteristic						
Compressor / Compressor protection		Rotary / Thermal circuit breaker with automatic reset				
Thermodynamic circuit protection type		Safety pressure switches with an automatic reset; [high/low pressure 2.5/0.1 Mpa]				
Automatic safety pressure switch (high)		2.5				
Automatic safety pressure switch (low)		0.1				
Fan		Centrifugal				
Available external pressure of heat pump		88				
Ejection outlet diameter		160				
Nominal air capacity		360				
Motor protection		Internal thermal circuit breaker with automatic reset				
Condenser		Aluminium; wrapped externally, not in contact with water				
Refrigerant		R513a				
Refrigerant charge		1100				
Global warming potential of the refrigerant		631				
CO2 equivalent (CO2e)		0.693				
Automatic anti-Legionella cycle		YES				
Water storage tank						
Water storage tank capacity		194	202	251	260	
Maximum volume of mixed water at 40°C/ V40*		277	283	352	360	
Solar heat exchanger surface		1	N/A	1,2	N/A	
Solar heat exchanger volume		5,8	N/A	7,5	N/A	
Corrosion protection		Mg anode Ø33x400 mm				
Thermal insulation		50 mm rigid PU				
Maximum working pressure - storage tank		8				
Transport weight		121	105	128	110	

*Maximum quantity of water supplied at 40°C.



Dimensions ±5 mm		HPWH 200	HPWH 200 S	HPWH 260	HPWH 260 S
h	mm	1720	1720	2010	2010
a	mm	994	994	1285	1285
b	mm	724	724	834	834
d	mm	995	995	1285	1285
f	mm	803	803	1064	1064
i	mm	681	-	781	-
k	mm	60	60	60	60
n	mm	681	681	766	766
u	mm	1153	1153	1440	1440
w	mm	58	58	58	58
M	mm	260	260	260	260
ØDF	mm	160	160	160	160
R	mm	1785	1785	2055	2055
ØD	mm	630	630	630	630

MODELS		HPWH 200	HPWH 200 S	HPWH 260	HPWH 260 S
CW	cold water inlet	G 1"	G 1"	G 1"	G 1"
HW	hot water outlet	G 1"	G 1"	G 1"	G 1"
IS	heat exchanger inlet	G 1"	-	G 1"	-
OS	heat exchanger outlet	G 1"	-	G 1"	-
R	recirculation	G ¾"	G ¾"	G ¾"	G ¾"
TS	thermo pocket level 1	G ½"	-	G ½"	-
EE	opening for electric element	G 1½"	G 1½"	G 1½"	G 1½"
CD	condense drainage	G ¾"	G ¾"	G ¾"	G ¾"
MA	magnesium anode	G 1¼"	G 1¼"	G 1¼"	G 1¼"

Thread designations according to EN ISO 228-1